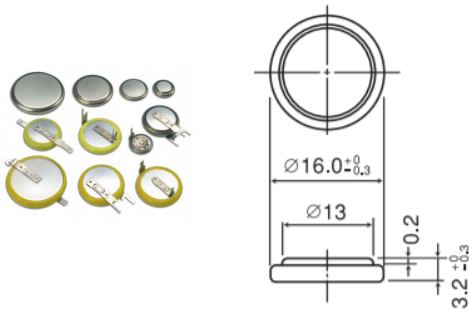


BR1632

BR Coin-type Lithium Battery



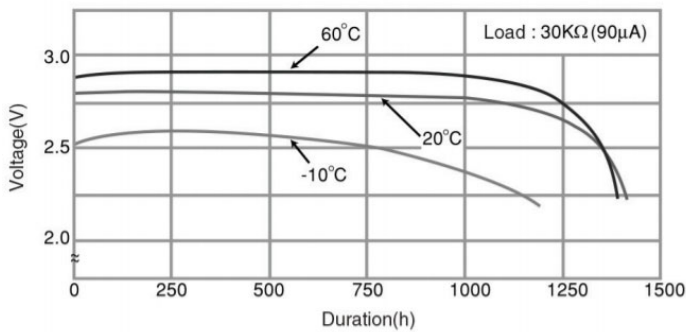
Features & Benefits

- BR series batteries developed with exclusive Panasonic technology
- Exhibits stable performance after long periods in storage due to low self-discharge characteristics
- Primarily used for memory-backup power in low-drain applications

Applications

Commercial equipment(communication/measurement devices), electricity meters, memory backup(security cameras, security sensors), automotive electronic components(ETC), etc.

Discharge temperature characteristics



Specifications

Nominal voltage		3V
Nominal capacity		120mAh
Continuous drain		0.03mA
Dimensions* 1	Diameter(Max.)	16.0mm
	Height(Max.)	3.2mm
Weight*1		Approx. 1.5g
Operating temperature*2		-30°C to +85°C

*1 Without tabs.

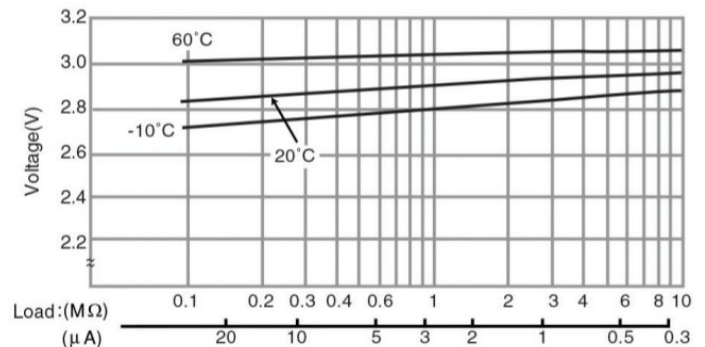
*2 Please consult Panasonic when anticipating usage in operating temperatures of 80°C or above.

Terminal types

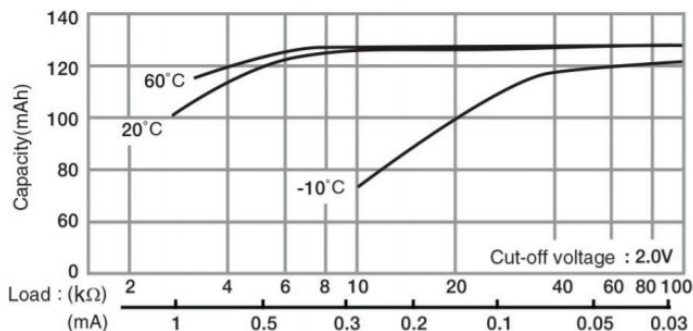
Please see the documents for the terminal and lead wire settings.

- [Line up of tab terminal types\(by shape\)](#)
- [Line up of tab terminal types\(by product number\)](#)

Operating voltage vs. load resistance (voltage at 50% discharge depth)



Capacity vs. load resistance



Panasonic Energy Co., Ltd.

<https://industrial.panasonic.com/ww/products/pt/lithium-batteries>

As of April, 2022. Panasonic offers batteries with tabs or lead wires. This data in this document is for descriptive purposes only and is not intended to make or imply any guarantee or warranty. The contents of this product information are subject to change without notice.

